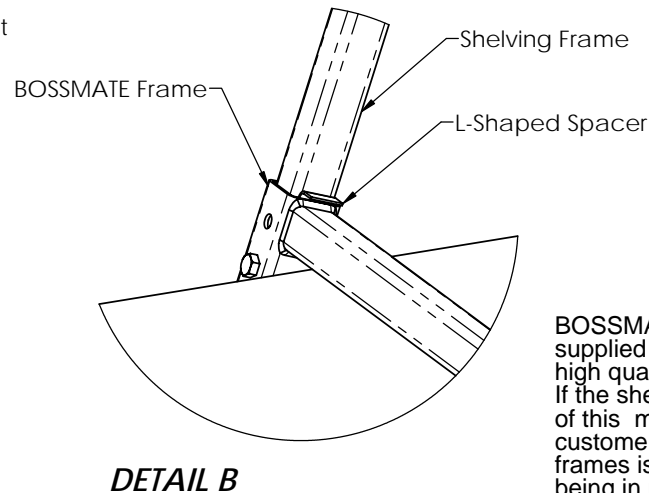
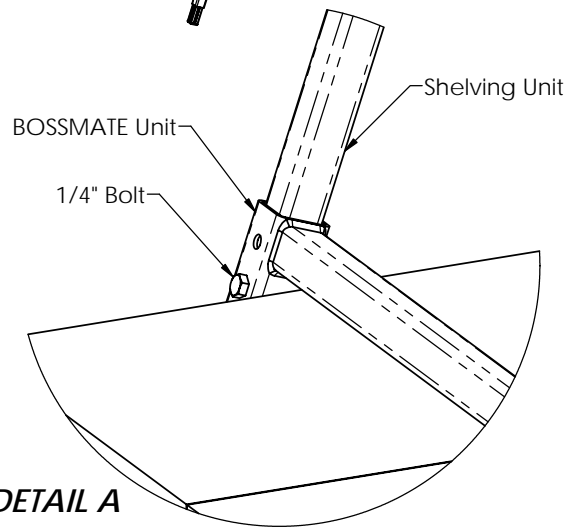
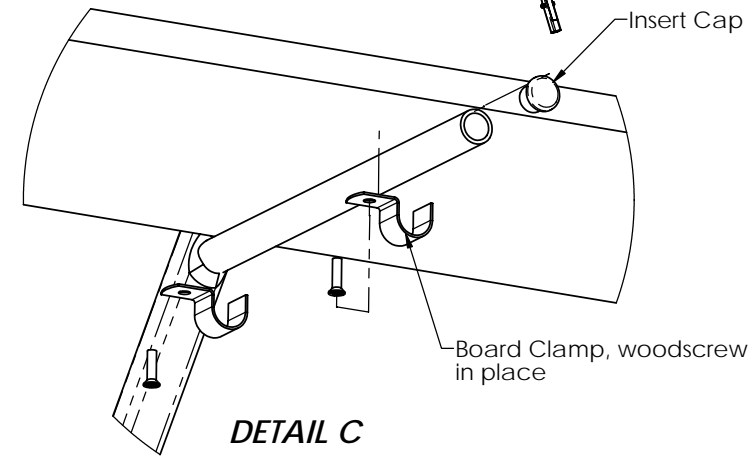
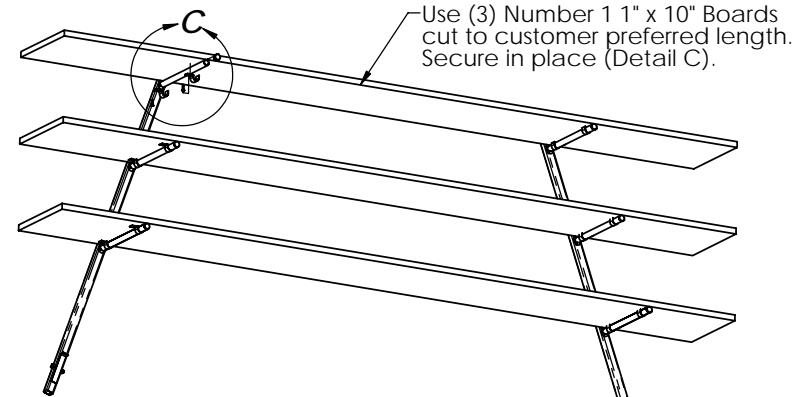
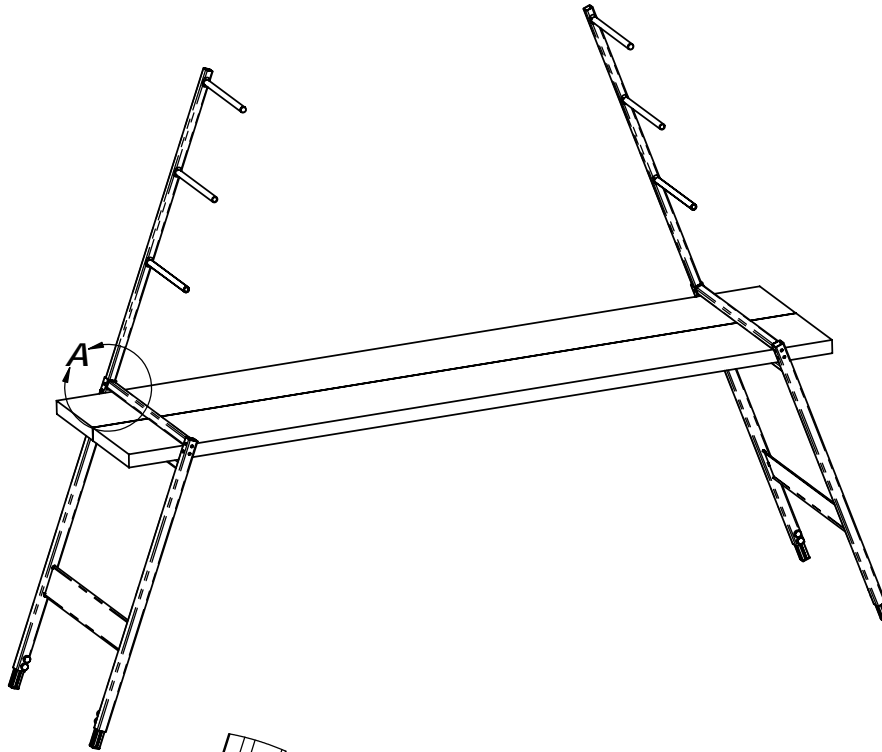


BOSSMATE Shelving Assembly

Insert Shelving Frame into assembled BOSSMATE Unit and install 1/4" bolt thru both frames and tighten the nut on the backside (Detail A).

Insert spacer between Shelving Frame and BOSSMATE Unit (Detail B).



BOSSMATE, LLC is not responsible for the use of this system with customer supplied materials. It is the sole responsibility of the end user to utilize high quality shelving and to ensure that the shelving is not overloaded. If the shelving used shows signs of bending under any load, discontinue use of this material. Maximum shelf load, for steel frame only and excluding customer supplied shelving material with an evenly distributed load between frames is 150 pounds. Do not use this system without securing brackets being in place on all shelving. Do not load the shelving unevenly.